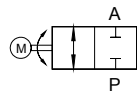


Electromotive Rotary Actuators with Fluidic Valve - OPEN/CLOSED Valve

Type 2101 Electromotive Rotary Actuator with Ball Valve



Mode of action I

DESCRIPTION

Suitable for gaseous and liquid media that do not attack the housing and sealing material (e.g. heating and cooling water circuits).

TECHNICAL DATA

Operating voltage	24 VDC 12 VDC on request
Rated current	60 mA
Power consumption	4 W
Nominal operation type	Intermittent operation 50% duty cycle
Actuating time for 90°	7 sec.
Type of protection	IP 54
Drive design	Limit switch Potentiometer 4.7 KΩ

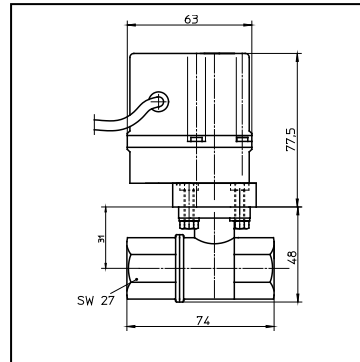
Housing material	nickel-plated brass or stainless steel
Drive material	PBT
Sealing material	PTFE / FPM
Pressure range	0 to 10 bar
Temperature of medium	0 to +80 °C
Ambient temperature	0 to +50 °C

Cables	1 meter (Standard) other lengths on request
---------------	--

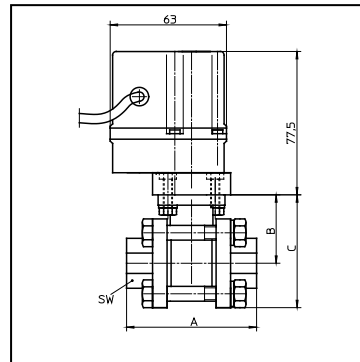
CERTIFICATE

DIN 45545:2013	Fire protection in rail vehicles
-----------------------	----------------------------------

2/2-way ball valve, brass, 2-piece



2/2-way ball valve, stainless steel, 3-piece



ORDERING CHART

2/2-way ball valve, brass, 2-piece

DN (mm)	LTA	Kv value (m³ / h)	Version	Order no.
15	G1/2	16	2 limit switches	P1002023
15	G1/2	16	1 potentiometer	P1002482

2/2-way ball valve, stainless steel, 3-piece

DN (mm)	LTA	Kv value (m³ / h)	Version	Order no.
8	G1/4	5.1	2 limit switches	P1002942
10	G3/8	6.8	2 limit switches	P1002943
15	G1/2	16	2 limit switches	P1002944
8	G1/4	5.1	1 potentiometer	P1002945
10	G3/8	6.8	1 potentiometer	P1002946
15	G1/2	16	1 potentiometer	P1002947

- Customer-specific designs on request