

# Electromotive Rotary Actuators - OPEN / CLOSE Valves

## Type 1201 Electromotive Rotary Actuator - Torque 1.2 Nm



### DESCRIPTION

The electromotive drives are offered in versions

- with potentiometer or
- with 2 limit switches.

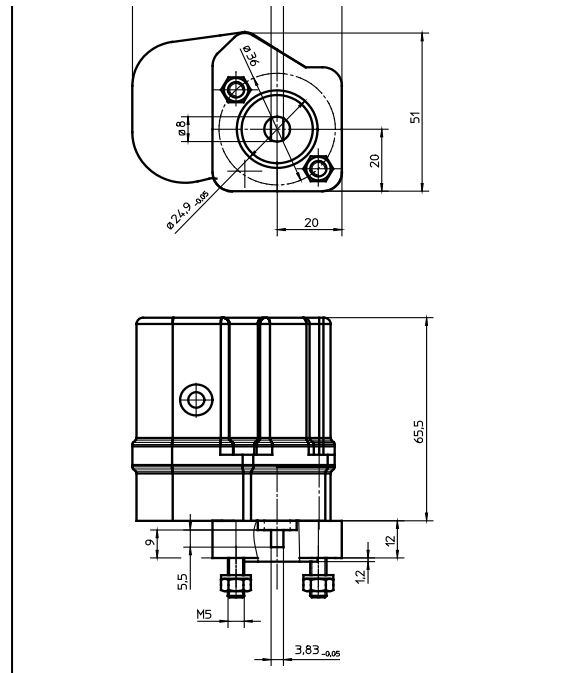
The connection between the drive and the actuator is made via a flange.

### TECHNICAL DATA

<b>Operating voltage</b>	24 VDC (12 VDC on request)
<b>Rated current</b>	60 mA
<b>Power consumption</b>	4 W
<b>Nominal operation type</b>	Intermittent operation 50% duty cycle
<b>Torque</b>	1.2 Nm (short-term 1.5 Nm)
<b>Actuating time for 90°</b>	7 sec.
<b>Type of protection</b>	IP 54
<b>Drive design</b>	- Limit switch - Potentiometer 4.7 KΩ
<b>Electrical connection</b>	PG7 and cable terminal strip
<b>recommended cable</b>	- Rubber cable grommet LIYY 6 x 0.25
<b>Ambient temperature</b>	0 to 50 °C
<b>Housing material</b>	Plastic PBT, black
<b>Flange plate</b>	Plastic PA6 GF30%

### CERTIFICATE

**DIN 45545:2013** Fire protection in rail vehicles



### ORDERING CHART

Electromotive rotary drive 1.2 Nm

Variant	Version	Order no.
Limit switches	- 2 limit switches - PG7 screw fitting - Cable terminal strip	P1000171
Potentiometers	- 1 Potentiometer - Cable gland - Solder tag	P1000172

- Customer-specific designs on request