

# Needle valves - electromotive actuated

## Type 2121 Needle valves with electr. Linear drive - 450 N and 1000 N actuating force



Type 2121

### DESCRIPTION

The needle valve type 2121 is connected to the linear actuator type 1304 via distance columns. The transmission of the lifting movement via a coupling between the drive spindle and needle valve.

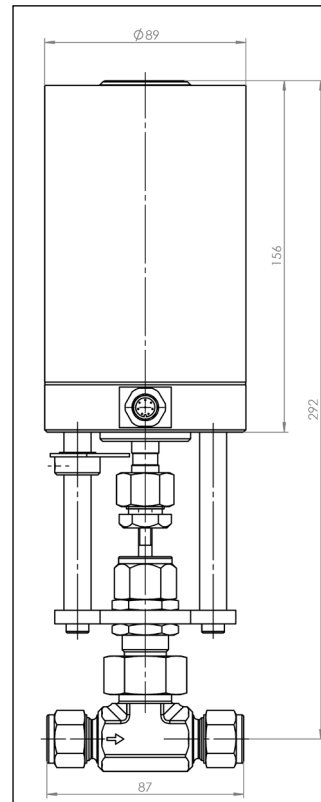
Commercially available needle valves can be combined and delivered with the electrical linear drive. Especially suitable for control applications in the lower nominal diameter range.

The drive housing is made of V4A stainless steel and is therefore suitable for use in plants where hygienic processes take place and which are exposed to heavy loads due to necessary cleaning and sterilization.

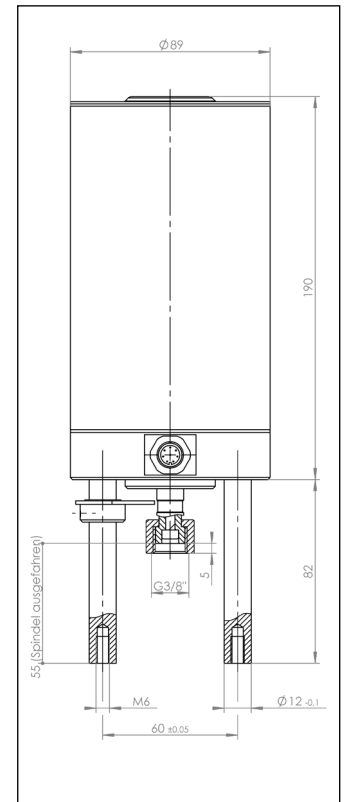
### TECHNICAL SPECIFICATIONS

<b>operating voltage</b>	24 VDC
<b>rated current</b>	max. 2,4 A (450 N) and 4,2 A (1000 N)
<b>restoring force</b>	450 N or 1000 N
<b>reputy speed</b>	adjustable by stepper motor control
<b>electrical connection</b>	M12x1 panel plugs, 8-pin
<b>control</b>	standard signal 4-20 mA or 0-10 V
<b>protection class</b>	IP 67
<b>mounting position</b>	optional, preferably drive upwards
<b>nominal operating mode</b>	intermittent duty 50% ED
<b>material drive housing</b>	stainless steel -V4A (316/316L)
<b>material fittings</b>	Angular seat, straight seat, needle or diaphragm valves
<b>ambient temperature</b>	-20°C to +60°C (without battery pack)
<b>optional on request</b>	- auto reset by Battery pack - only available for 450N (Ambient temperature max + 30 ° C) - 230 VAC power supply, 4A, IP67 - Cable M12x1, 8-pin div. lengths

### DIMENSIONS (mm)



450 N drive complete



1000 N drive without needle valve

### areas of application

- gas supply systems with higher pressures
- fine dosing
- analysis technique
- biotechnology
- pharma