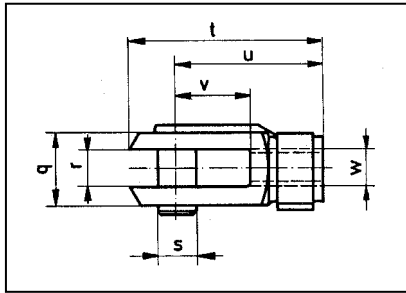


Cylinder Fastening - Fork and Articulated Head

Type 1001 Fork Head According to DIN 71 752



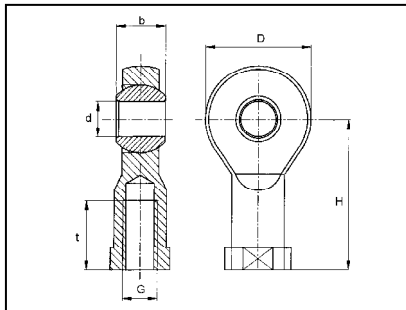
Dimensions (mm)

Piston Ø	q	r	s	t	u	v	w
12/16	12	6	6	31	24	12	M6
20	16	8	8	42	32	16	M8
25/32	20	10	10	52	40	20	M10x1.25
40	24	12	12	62	48	24	M12x1.25
50	32	16	16	83	64	32	M16x1.5

Fork head - ordering chart

Piston Ø	Order no. (Steel)	Order no. (Stainless steel)
12/16	P1000222	P1000227
20	P1000223	P1000228
25/32	P1000224	P1000229
40	P1000225	P1000230
50	P1000226	P1000231

Type 1016 Articulated head according to DIN 648



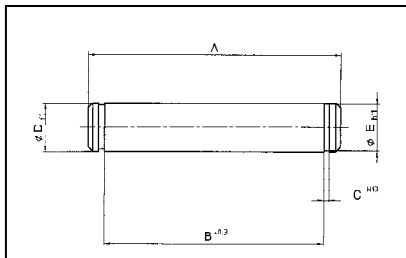
Dimensions (mm)

Piston Ø	G	d	H	t	b	D
12/16	M6	6	30	12	9	20
20	M8	8	36	16	12	24
25/32	M10x1.25	10	43	20	14	28
40	M12x1.25	12	50	22	16	32
50	M16x1.5	16	64	28	21	42

Mounting kit ordering chart

Piston Ø	Order no. (Steel)	Order no. (Stainless steel)
12/16	P1000326	P1000331
20	P1000327	P1000332
25/32	P1000328	P1000333
40	P1000329	P1000334
50	P1000330	P1000335

Type 1008 Fixing Bolts



Dimensions (mm)

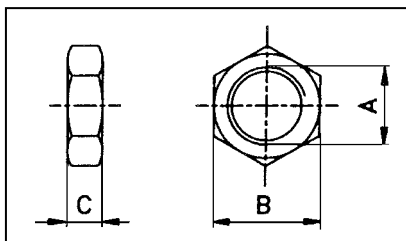
Piston Ø	A	B	C	D	E
32	53	46	1.1	10	9.6
40	60	53	1.1	12	11.5
50	68	61	1.1	12	11.5

Bolt ordering chart

Piston Ø	Order no. (Steel)	Order no. (Stainless steel)
32	P1000685	P1000682
40	P1000686	P1000683
50	P1000687	P1000684

Lock washers are part of the scope of supply

Type 1004 Securing and Piston Rod Nut Kit



Consists of a securing and piston rod nut

Dimensions (mm)

Piston Ø	Securing nut			Piston rod nut		
	A	B	C	A	B	C
12/16	M16x1.5	22	5	M6	10	3
20	M22x1.5	27	8	M8	13	4
25	M22x1.5	27	8	M10x1.25	17	6

Mounting kit ordering chart

Piston Ø	Order no. (Steel)	Order no. (Stainless steel)
12/16	P1000216	P1000219
20	P1000217	P1000220
25	P1000218	P1000221