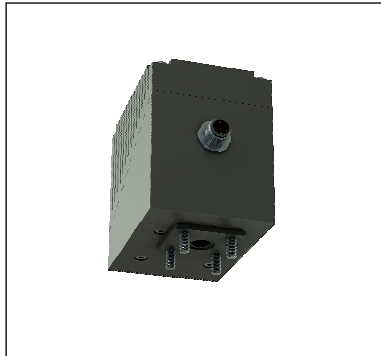


## Type 1202 Electromotive Rotary Actuator - Torque 9 Nm



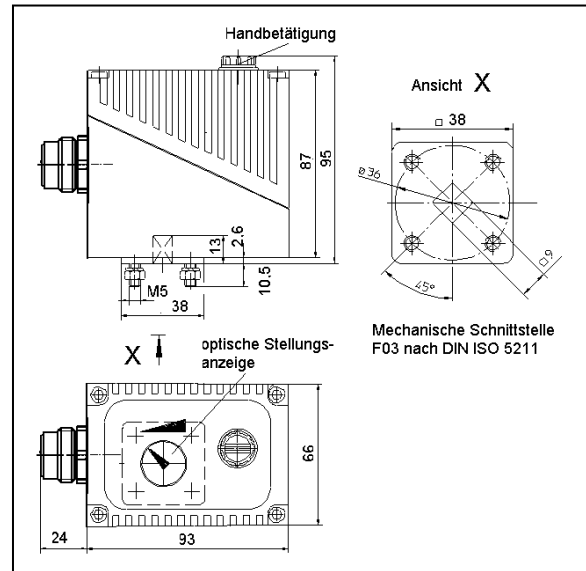
### DESCRIPTION

The electromotive rotary actuator can be used as a two or three-way or as a control drive.  
The connection between drive and actuator is made via the mechanical interface F03 based on DIN ISO 5211.  
The motor drive has a manual control and an optical position indicator.

### TECHNICAL DATA

<b>Operating voltage</b>	24 VDC or 230 V / 50 Hz
<b>Rated current</b>	230 mA at 24 VDC 10 mA at 230 VDC
<b>Power consumption</b>	5.5 W or 2.3 W
<b>Nominal operation type</b>	Intermittent operation 50% duty cycle
<b>Torque</b>	9 Nm
<b>Actuating time for 90°</b>	14 sec. optional: 7 sec.
<b>Type of protection</b>	IP 67
<b>Drive design</b>	Limit switch Potentiometer 4.7 KΩ Standardized signal 0-10 V or 4-20 mA
<b>Electrical connection</b>	7-pin round plug (M26 x 1.5) or 8-pin panel connector (M12x1)
<b>Drive connection with actuator</b>	Interface F03 according to ISO 5211
<b>Ambient temperature</b>	0 to 50 °C
<b>Housing material</b>	Plastic PA, black

### DIMENSIONS (mm)



### ORDERING CHART

Electromotive drive 9 Nm with round plug

Version	Voltage/frequency (V/Hz)	Order no.
with 2 limit switches	24 / DC	P1000285
with 1 potentiometer + 2 limit switches	24 / DC	P1000286
with 2 limit switches	230/50	P1000287
with 2 end switches + End position signal	230/50	P1000288
with 1 potentiometer + 2 limit switches	230/50	P1000289
Junction box 7-pole		P1000290

### OPTIONAL

- Operating voltage with 12 VDC
- Cable connection with PG cable gland
- End position indication (feedback)
- Actuating time 90°: 7 sec.