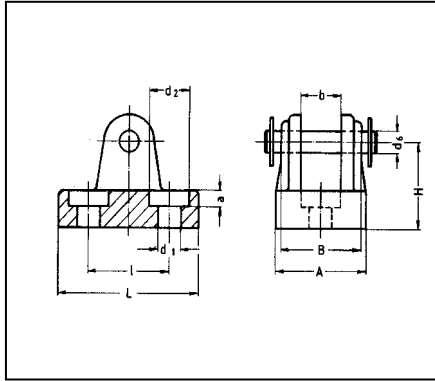


Cylinder Fastening – Bearing Block/Fork

Type 1002 Bearing Block, plastic PA6 GF



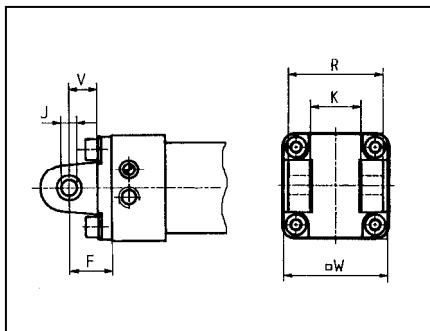
Dimensions (mm)

| Piston Ø | L | A | H | B | b | l | a | d1 | d2 | d6 |
|----------|----|----|----|------|----|----|---|-----|----|----|
| 12/16 | 32 | 24 | 24 | 22 | 12 | 20 | 4 | 5.4 | 10 | 6 |
| 20/25 | 42 | 32 | 32 | 30.5 | 16 | 24 | 5 | 6.4 | 11 | 8 |

Bearing block ordering chart

| Piston Ø | Order no. (Plastic PA6 GF) |
|----------|----------------------------|
| 12/16 | P1000210 |
| 20/25 | P1000211 |

Type 1005 Fork, only for plastic cylinder type 1102



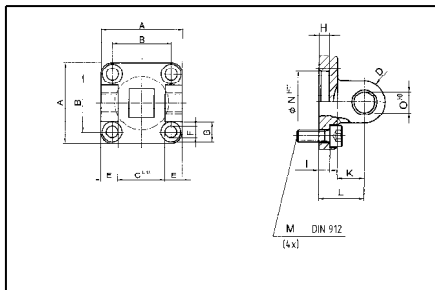
Dimensions (mm)

| Piston Ø | F | J | K | R | V | W |
|----------|----|----|----|----|----|----|
| 32 | 22 | 10 | 26 | 45 | 15 | 46 |
| 40 | 25 | 12 | 28 | 52 | 17 | 56 |
| 50 | 27 | 12 | 32 | 60 | 17 | 66 |

Fork ordering chart

| Piston Ø | Order no. (Black anodized aluminum) |
|----------|-------------------------------------|
| 32 | P1000232 |
| 40 | P1000233 |
| 50 | P1000234 |

Type 1010 Fork with Bush, only for cylinders based on ISO 15552



Dimensions (mm)

| Piston Ø | A | B | C | D | E | H | M | K | L | N | O | I |
|----------|----|------|----|----|-----|---|-------|----|----|----|----|-----|
| 32 | 45 | 32.5 | 26 | 10 | 9.5 | 5 | M6x16 | 13 | 22 | 30 | 10 | 5.5 |
| 40 | 52 | 38 | 28 | 12 | 12 | 5 | M6x16 | 16 | 25 | 35 | 12 | 5.5 |
| 50 | 65 | 46.5 | 32 | 12 | 14 | 5 | M8x20 | 16 | 27 | 40 | 12 | 6.5 |

Fork with bush - ordering chart

| Piston Ø | Order no. (Anodized aluminum) |
|----------|-------------------------------|
| 32 | P1000694 |
| 40 | P1000695 |
| 50 | P1000696 |